

AU NOZZLE

EXHAUST NOZZLE

The AU exhaust nozzles are designed to capture the exhaust flow at the source without interfering with the airflow. This makes the nozzle highly suitable for service stations where the vehicles may be operated indoors for emission testing, according to TRGS-554 Jan-2019 and BAR-97 EIS Specification (July 2017). The edge of the nozzles are equipped with edge protection so accidental scratching can be prevented.



APPLICATIONS

The AU nozzle is intended to be used for the following applications:

- To eliminate hazardous vehicle exhaust emissions with our vehicle exhaust capture and removal systems for the following segments: car workshops and maintenance facilities.



SPECIFICATIONS

Physical dimensions and properties

Material	elektro zinc plated steel
Colour	silver
Weight	
• AU-150	• 10 kg (22 lbs)
• AU-200	• 11,5 kg (25.5 lbs)

Ambient conditions

Operating temperature:	depends on the hose up to 600°C (1112°F)
Max. relative humidity	80%
Outdoor use allowed	no

Where used

The AU nozzle is recommended for use in emission testing stations in combination with a Plymovent hose and fan

Scope of supply

AU-150 or AU-200 (hose and fan to be ordered separately)

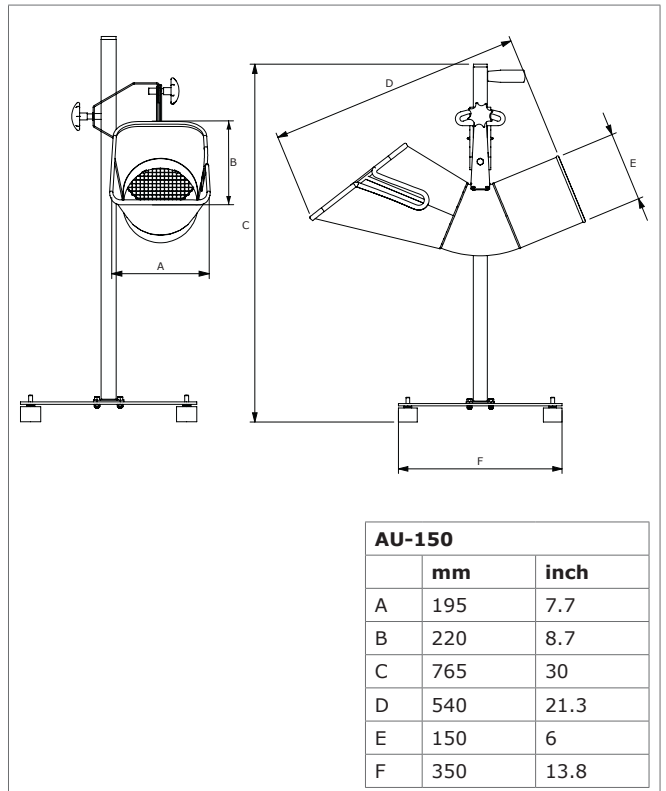
Order information

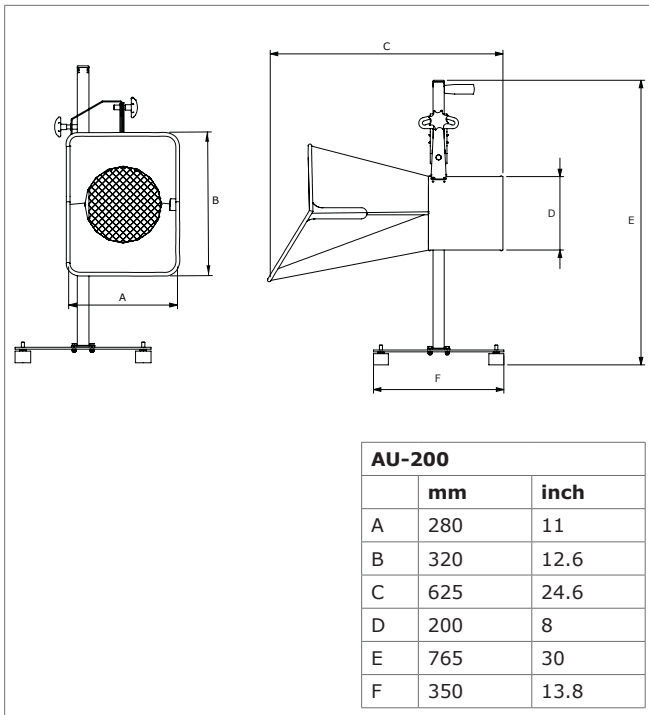
Article no.	
• AU-150	• 0000105259
• AU-200	• 0000109472
Number/package	1

Shipping data

Gross weight	
• AU-150	• 11 kg (24 lbs)
• AU-200	• 12,5 kg (28 lbs)
Packing dimensions	
• AU-150	• 600 x 600 x 400 mm (24 x 24 x 16 in.)
• AU-200	• 600 x 600 x 400 mm (24 x 24 x 16 in.)
Harmonized Tariff Code	84219990

DIMENSIONS





Product type

AU nozzle

Article no.

see order information

Product category

nozzles

Version

180521/0

Always check the latest version on www.plymovent.com